

## LD56-C1

Low Glare Interior/Exterior In-ground LED Uplighter

Install sheet - Page 1

### SPECIFICATION

LED surfaced mounted luminaires are class III for Safety Extra Low Voltage **DC** supply. The product should only be used with a supplied or LightGraphix approved **350mA, 500mA or 700mA** constant current driver.

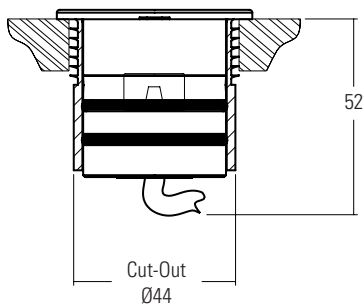
**Suitable for mounting on normally flammable surfaces.**

Lamp: **C1 LED Engine.**  
This fitting is **IP68** rated.  
Lumen Maintenance: L90B5 at 90,000hrs.

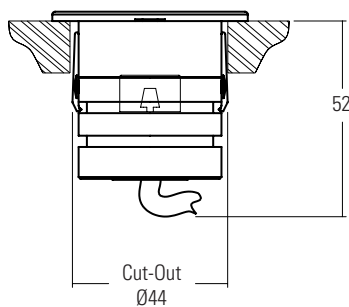
LD51 - C1			
Product & LED Output Code	Power Output	Max Ambient	Energy Class
LD56-C1-350	350mA 1.2W	-20° to 50°	E
LD56-C1-500	500mA 1.7W	-20° to 50°	E
LD56-C1-700	700mA 2.4W	-20° to 50°	F

### DIAGRAM

**/476**  
Fixing Sleeve



**/SC**  
Spring Clips



### SEE CONSTANT CURRENT WIRING SHEET FOR IN SERIES WIRING DIAGRAM

Do not power up until fitting is wired correctly! Constant current LEDs must be wired in series, polarity is critical. Please refer to specified driver sheet for details on the minimum and maximum number of LEDs per circuit.

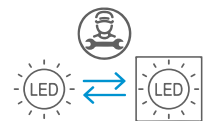
CORE COLOUR & POLARITY		
Colour of Cable	Red	Black
Polarity	+	-

### IMPORTANT

Make sure that all cables and connections are securely connected before switching on the power. Failing to do this can lead to failure of the LEDs and/or the driver. If the LEDs do not work upon power up, turn off the power source immediately and check the polarity of the wiring. Any attempt made to open up and/or modify the luminaire will invalidate the manufacturers warranty. The external cable of this luminaire cannot be replaced; if the cable is damaged the luminaire shall be destroyed. This is inclusive of but not limited to removal of the LightGraphix product label or removal of any parts from the main body of the product including bezels, electrical components and factory fitted fixing methods (unless otherwise stated in these instructions). Luminaire should be wired no further than 30 meters away from a SELV constant current LED driver (based on a 1mm squared cross sectional cable). Forward voltage of luminaire is 18VDC, if wired in series UOUT of LED driver and luminaire circuit should not exceed 60VDC. Terminal block not included. Installation must be performed by a qualified person. For connections made in dry environments 2 x Wago 221-2411 or connections with similar specifications are recommended. For damp or wet environments a connector of the same electrical specification but with a suitable IP rating should be used. The fitting guarantees a minimum static load resistance of 5kN. The rated maximum surface temperature is less than 100°C.

### END OF LIFE

This fitting contains a replaceable (LED only) light source, that must be replaced by a professional. If the product has come to the end of its life or is in need of repair please contact LightGraphix or your preferred recycling scheme.



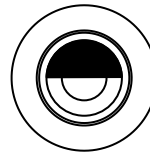
### MAINTENANCE

Clean with soft damp cloth  
LED: Please contact LightGraphix  
O-ring replacement part numbers: Outer O-ring 17.0049.

### CONNECTION

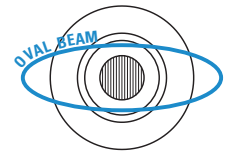
-Wire Connection Method: Clamp  
-No. of Positions: 1Way  
-Rated Voltage: 450V  
-Rated Current: 32A  
-Wire Size (stranded): 18 - 14AWG

**/GS**  
Glare Shield



Wall/Lit Surface

**/OB**  
Oval Beam Orientation



Wall/Lit Surface

### INSTALLATION

**/476 & /SC**

1. Bore clearance holes to suit dimensions below.
2. Wire the luminaire to a specified driver.

**NOTE: Connections in wet environments. Make IP68 connection to stop water travelling up the cables into the fittings! Refer to IP connection sheet for further details.**

3. When installing /476 Fixing Sleeve, adhesive can be applied to the fins if required to stop ingress of water. Recommended adhesives are; Rotabond 2000, 3M 4200 Marine Adhesive or Simson MSR Construction Adhesive.
4. Before installing fitting make sure they are free from dirt and grit.
5. When using /SC Spring Clips, squeeze mounting springs into body with finger and thumb.
6. Push in the luminaire into the cut-out hole until flush with surface.
7. When installing LD56 with an OB lens fitted, rotate the fitting using a grippy pair of gloves to orientate it.
8. When fitted with a glare shield, orientate the fitting with a grippy pair of gloves, so that the shield is horizontal to the floor or wall surface.